



OL800 Solar LED Obstruction Light

The OL800 is an integrated solar solution that includes a high-efficiency LED light source, solar panels and battery.

The OL800 is designed to meet lighting standards for FAA L-810, ICAO low intensity types A/B (red) and CAR 621 CL-810. Infrared (IR) LEDs are optional. Easy to install, the OL800 requires minimal maintenance and is ideal for temporary installations like cranes, MET towers and during wind farm construction as well as permanent structures like communications towers.

Intuitive Setup & Programming

- Top-mounted LED display with simple tap-to-activate functionality
- Easily check light settings without external controller
- Programmable with optional Infrared Programmer

Scalable, Cost-effective Design

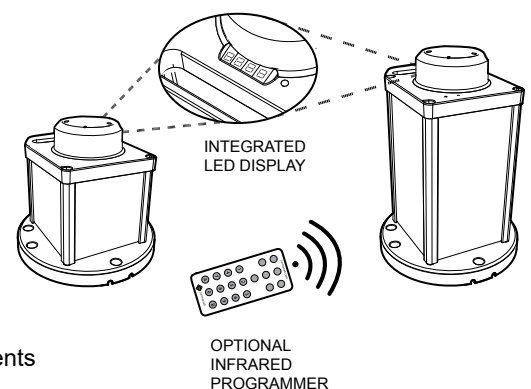
- Customizable for best value-for-performance
- Multiple battery pack options

Intelligent Energy Management

- Best-in-class, high-efficiency solar panels
- Maximum Power Point Tracking (MPPT)
- Patented Energy Management System (EMS)
- Ensures maximum battery life and light performance even in the harshest of environments

Durable, Low Maintenance

- Compact, stand-alone, maintenance-free unit
- Integrated solar panels, battery, electronics and LED light source
- Replaceable battery extends life beyond 5 years



OL800 Compact

- 9.9 lbs (4.5 kg)
- 63 Wh X-cells battery pack
- Suitable for at least 7 days autonomy in mid to high sun locations

OL800 Standard

- 14 lbs (6.4 kg)
- 100.8 Wh E-cells battery pack
- 7-10 days battery autonomy
- Provides reliable solar lighting over a wider geographical range

OL800 Large

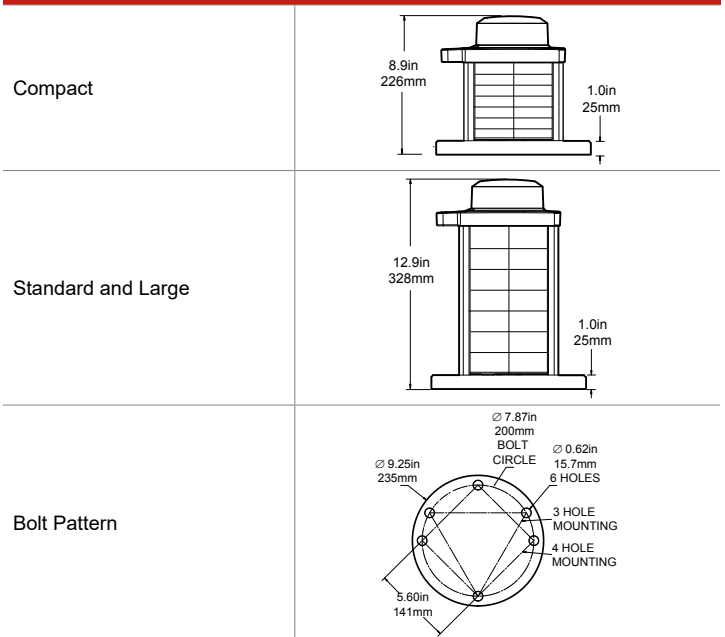
- 22.4 lbs (10.2 kg)
- 210 Wh BC-cells battery pack
- 7-10 days battery autonomy
- Provides reliable obstruction lighting in difficult solar geographies

OL800

SPECIFICATIONS

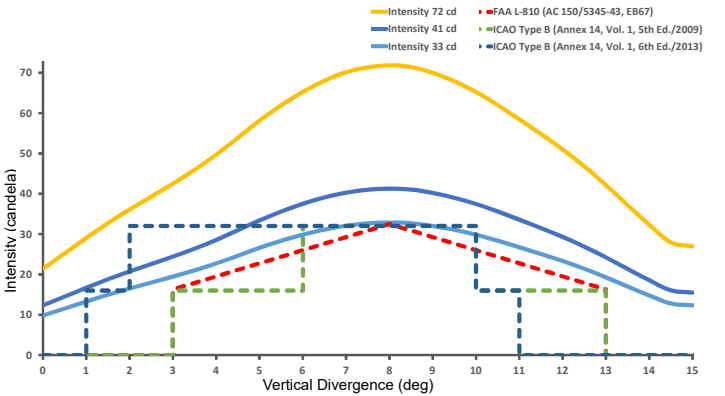
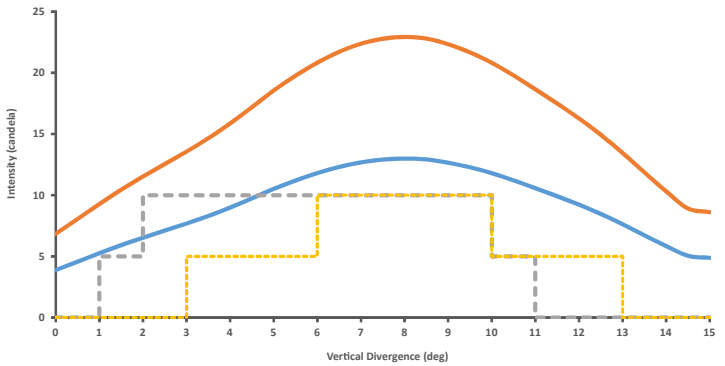
Optical	High-powered LEDs meet IES LM-80 lumen maintenance ensuring consistent photometrics for life of product
	FAA L-810 per FAA AC 150/5345-43G (red)
	ICAO Annex 14 5th and 6th editions low intensity types A & B (red)
	CASA 10 cd (Part 139, Vol. 2)
Solar Panel	ICAO, FAA SAE25050 and FAA EB 67 compliant chromaticity: red, green, white and yellow
	Steady-on and 250+ flash patterns
	Best-in-class high-efficiency solar cells with blocking diodes
Battery	Maximum power point tracking with temperature compensation (MPPT-TC) for optimal energy collection
	EnerSys CYCLON pure-lead VRLA AGM battery -85 to 176°F (-65 to 80°C) manufacturers operating range
Energy Management System (EMS)	Onboard battery status
	Optional port for battery charging
	Designed for 5-year battery life; Replaceable and recyclable
Automatic Light Control (ALC)	Intelligent, microprocessor
Programming	When enabled, automatically adjusts to lower levels of sunlight to ensure continuous operation
GPS Synchronization	Programmable with optional IR programmer Integrated 4-character LED display
Construction	Optional GPS enables 2 or more lights to flash in unison
	Premium-grade, UV-resistant polycarbonate lens/head
	Polycarbonate/polysiloxane co-polymer base
	Environmentally friendly, durable powder-coated aluminum chassis (applied by trivalent chromate process)
	Thermoplastic gaskets
	Waterproof, vented battery compartment
Temperature	Top color indicator matches LED color
	Integrated handle
Mounting	Bird deterrent included
	-22 to 122 °F (-30 to 50 °C) optimal
Wind Loading	-40 to 176 °F (-40 to 80 °C) maximum
Ice Loading	3 or 4, 7.87" (200 mm) bolt circle mounting pattern
Shock & Vibration	161.1 mph (72 m/s)
Ingress	0.03 psi (22 kg/m ²)
Electrostatic Discharge (ESD)	MIL-STD-202G (for shock and vibration)
	EN 60529 IP 68 immersion
	MIL-STD-202G immersion & damp heat cycling
	MIL-STD-810G rain & salt fog

DIMENSIONS



ORDER OPTIONS & PEAK INTENSITY

Model	Output	Solar Engine	Infrared	Control	Charge Port	Chassis
OL800	Red 209 cd*	Compact Standard Large	None Infrared	None GPS Sync	None Charge Port	Yellow
	Green 287 cd					
	White 374 cd					
	Yellow 319 cd					



*Infrared only available in red. Intensity capped at 70 cd.

FLASH TECHNOLOGY

flashsales@spx.com | flashtechology.com/obstruction | 1.615.503.2000

©2020 Flash Technology. All rights reserved. Data and specifications subject to change without notification. ISO 9001:2015. DOL80-01 Rev G